

Features & Benefits

- € Superior Technology Solutions
 - Brightest Output
 - CERTIFIED Burn Time Performance
 - Longest life
 - Smart Controller
 - 190LM/W

- € Smart Technology (Optional)
 - Automatic Light & Time Control
 - Infrared Human Sensor (PIR)
 - Microwave Sensor
 - Web based control/monitoring available



Exclusive Free
Battery Recycling
Program

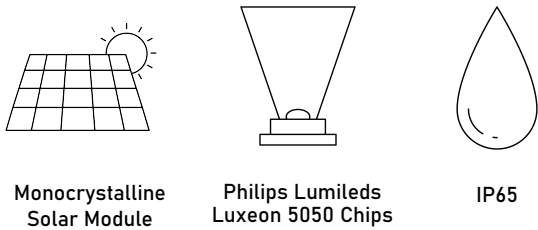
Available with:



5G Remote Access

- Monitor
- Set Timing
- Get Alerts

Certifications



Specifications	
Voltage	25.6V
Power	100W/150W/200W
Lumens per Watt	190 lm/w
Output	19,000lm/28,500lm/38,000lm
Chips	SMD 5050
Controller	MPPT
Solar Panel	36V 280W
Battery	25.6V 102Ah 2611.2WH
Optics	30D/T312/T322
CCT	3000K/4000K/5000K/5700K

These systems are custom sized and built to project requirements. Please call for specification help.



AMERICAN COMBAT VETERAN OWNED COMPANY



405-673-8684

www.gridshiftsolar.lighting

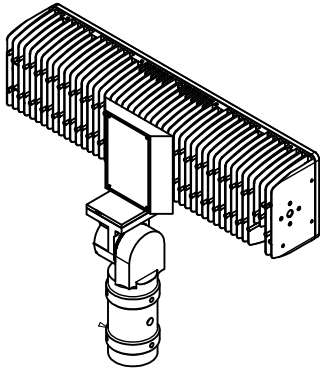
Corporate: 2803 Broadway Ct. Edmond, OK 73013
 California: 1341 Distribution Way, Suite 20, Vista, CA 92081

Cuesta Sol is a trademark of GridShift Solutions, LLP

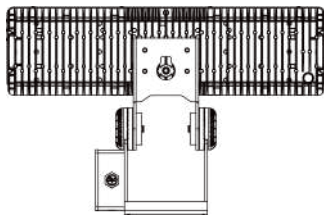
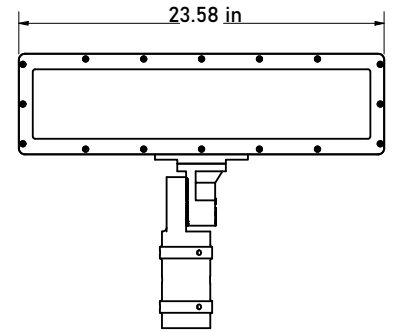
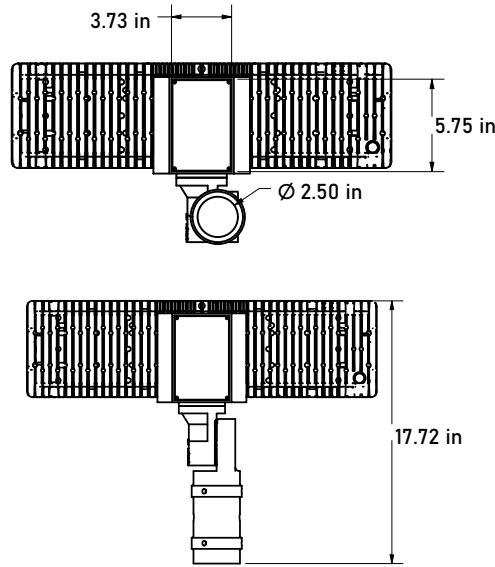


Wounded Warrior Project

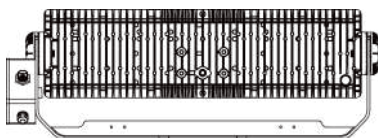
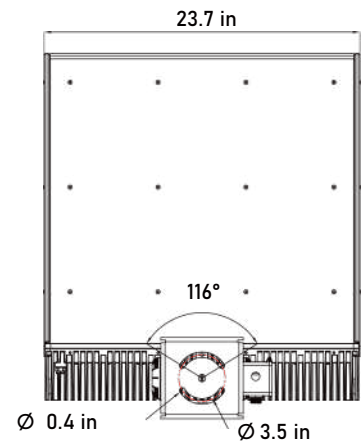
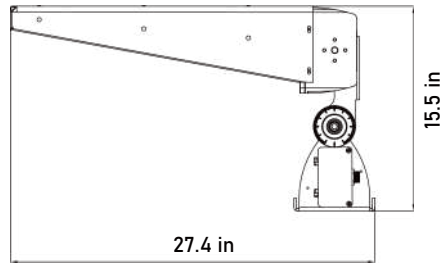
Fixture Dimensions



Tenon Mount

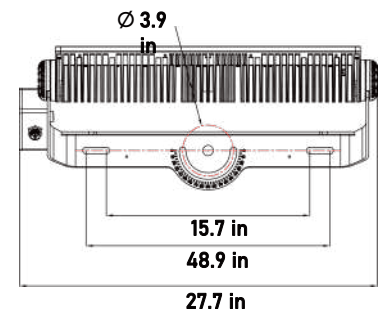
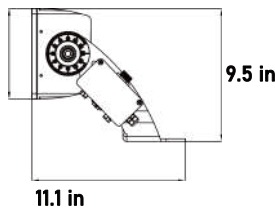


Surface Mount With Visor



Yoke Mount

6.5 in



AMERICAN COMBAT VETERAN OWNED COMPANY



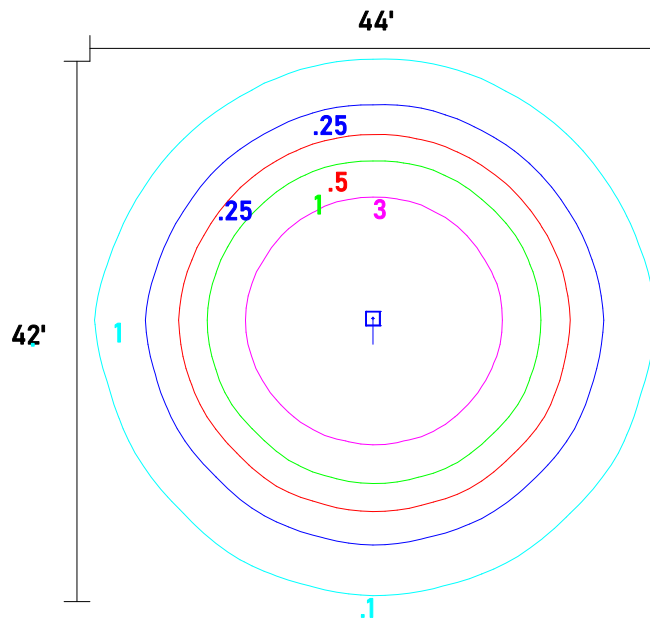
405-673-8684

www.gridshiftsolar.lighting

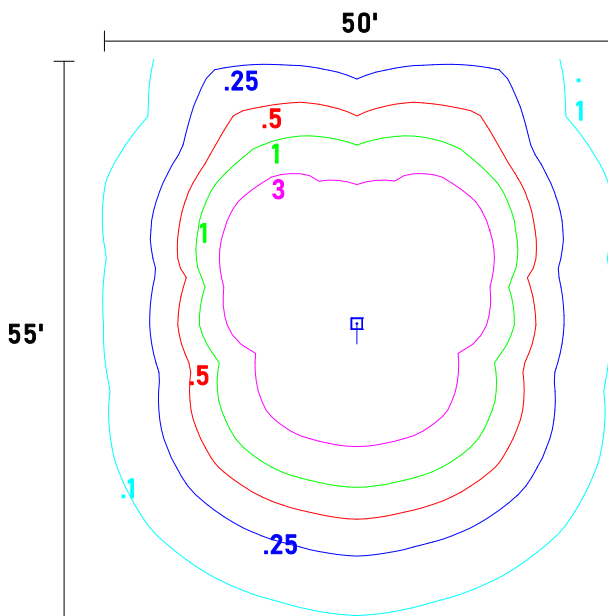
Corporate: 2803 Broadway Ct. Edmond, OK 73013
California: 1341 Distribution Way, Suite 20, Vista, CA 92081

Cuesta Sol is a trademark of GridShift Solutions, LLP

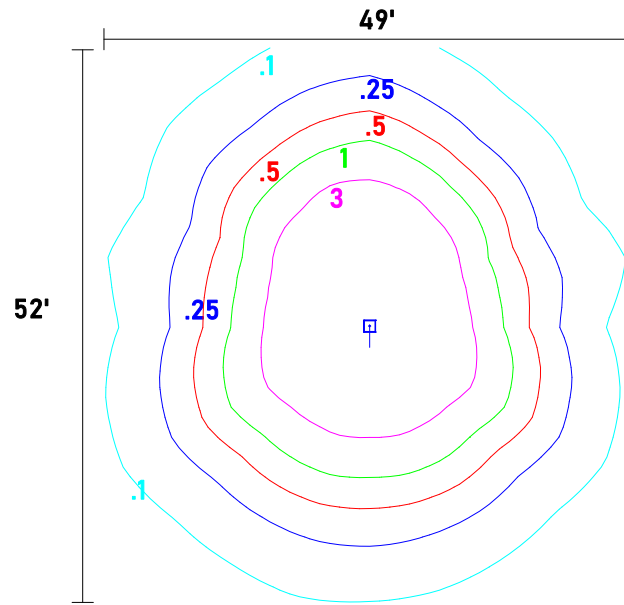
Photometry



30D



T312



T322

Examples shown above have a 30' Mounting Height



AMERICAN COMBAT VETERAN OWNED COMPANY

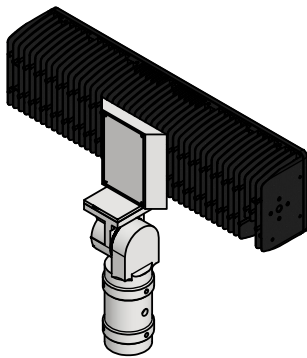
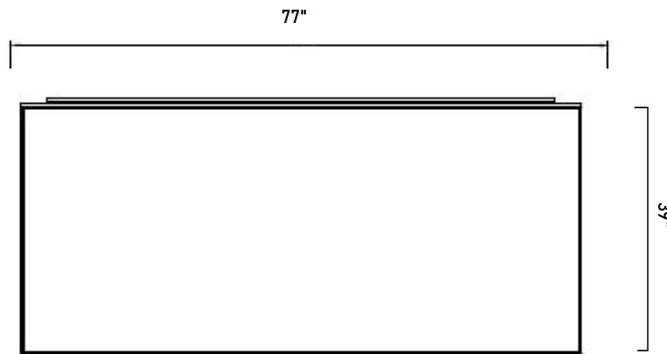


405-673-8684

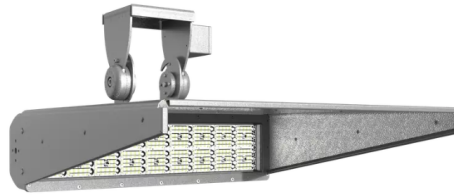
www.gridshiftsolar.lighting



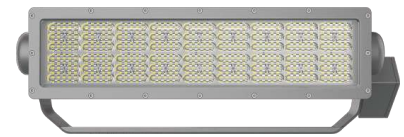
Solar Panel Dimensions



Tenon Mount



Surface Mount With Visor



Yoke Mount

Custom mounting options also available

Model #	Watts	CCT	Optics	Mounting	Option - Visor (Yes/No)	Optional 5G Remote Access (Yes/No)
Cuesta Sol CS-PRE-TUN	100W	3000K/4000K/5000K/5700K	30D/T312/T322	A - Tenon Mount B - Surface Mount C - Yoke Mount D - Custom	Y/N	Y/N
Cuesta Sol CS-PRE-TUN	150W	3000K/4000K/5000K/5700K	30D/T312/T322	A - Tenon Mount B - Surface Mount C - Yoke Mount D - Custom	Y/N	Y/N
Cuesta Sol CS-PRE-TUN	200W	3000K/4000K/5000K/5700K	30D/T312/T322	A - Tenon Mount B - Surface Mount C - Yoke Mount D - Custom	Y/N	Y/N

Ordering Description Example						
Cuesta Sol CS-PRE-TUN	150W	4000K	30D	B	Y	Y

Ordering Description						
Cuesta Sol CS-PRE-TUN	100W					
Cuesta Sol CS-PRE-TUN	150W					
Cuesta Sol CS-PRE-TUN	200W					



AMERICAN COMBAT VETERAN OWNED COMPANY



405-673-8684

www.gridshiftsolar.lighting

Corporate: 2803 Broadway Ct. Edmond, OK 73013
California: 1341 Distribution Way, Suite 20, Vista, CA 92081

Cuesta Sol is a trademark of GridShift Solutions, LLP

