

9μΥγ òμò ŽμÜμÄö

€ n ï μòäòμªÇÜàÇÄ nàÖyáÜò

- ŽòÄÇμòγZ ý ý
- ! , j uPA & Ž òÜ uÉ μ γμòÄòÜ ™Üª μ
- NàÜÄμòγÇÄμ
- nÜ ™òy! àÜyçàÇò
- 190 Lumens per watt

€ nÜ ™òyμªÇÜàÇÄ Zi yáÜ ™Ö

- ~ yáÜ ™yª NÈÄÇy uÉ μ! àÜyçàÇò
- AÜÄ ™μ ? Ü ™Ü ημÜòäò γÄ
- S È çà ™μ ημÜòäò
- Š μ ™ ™òy ~ª àÜyçàÇòÜ àÜyçàÇÜÄ ™ ™òy μ Çì



Available with:



5G Remote Access

- Monitor
- Set Timing
- Get Alerts

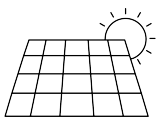


ª Ö È μ 9òμ
Ž ™y μò j μªª çÜÄ
γòÄò ™Ü

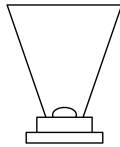
Certifications



! àÜyçàÇò



S àÜªª ò öy ÇÜμ
nàÜò Sª ~ Çì



γÇÈ ò N Ü È ò
N μªÜ ! Çì ö



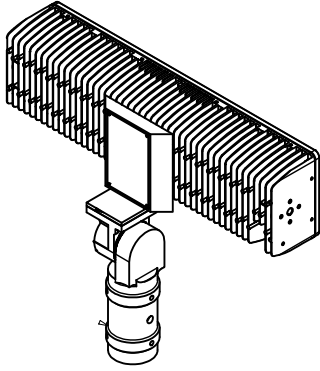
Äy



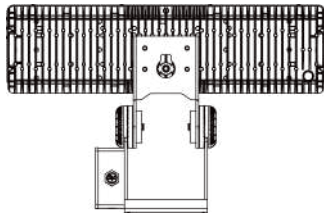
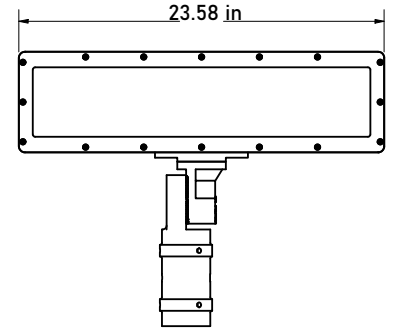
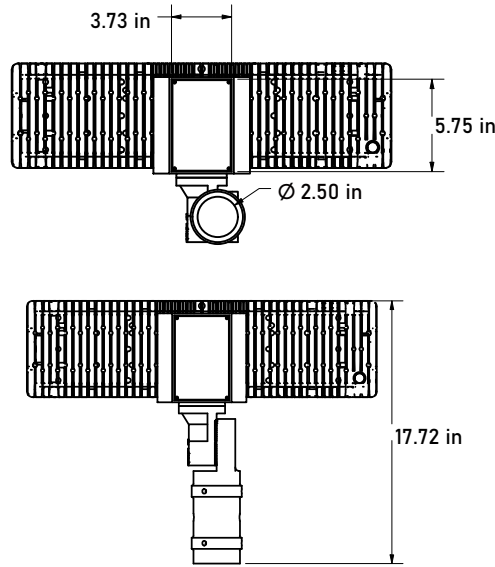
AMERICAN COMBAT VETERAN OWNED COMPANY



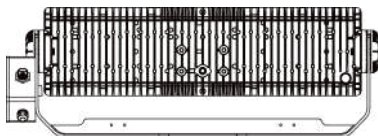
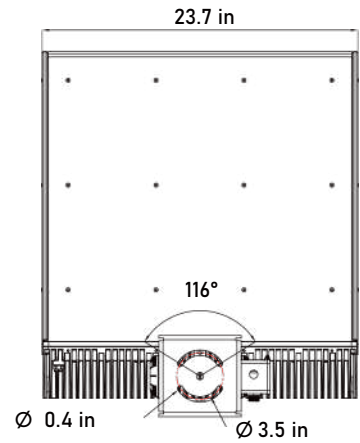
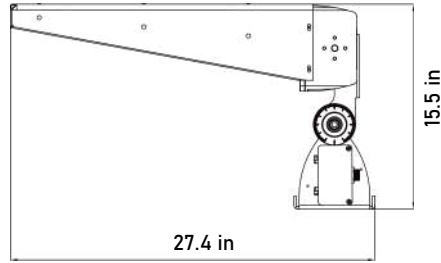
Fixture Dimensions



Tenon Mount

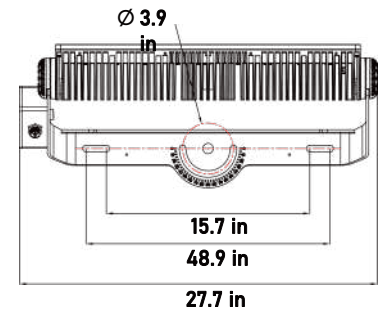
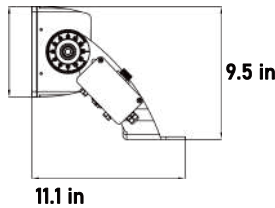


Surface Mount With Visor



Yoke Mount

6.5 in



AMERICAN COMBAT VETERAN OWNED COMPANY

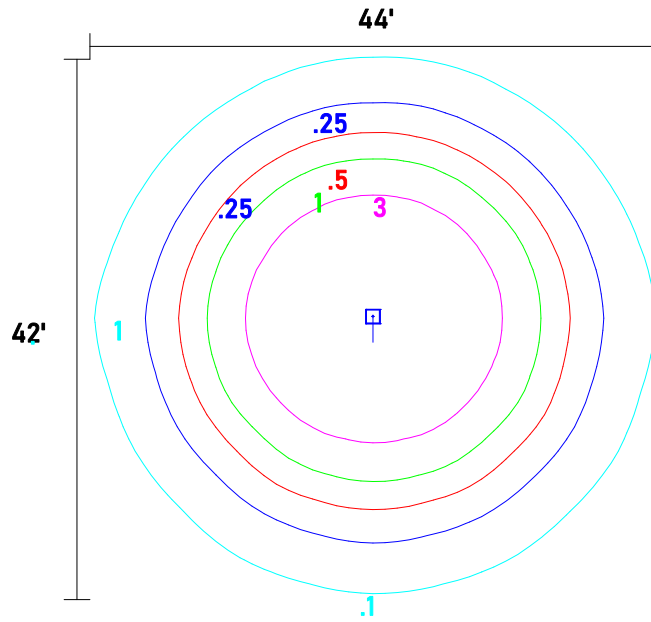


405-673-8684
www.gridshiftsolar.lighting

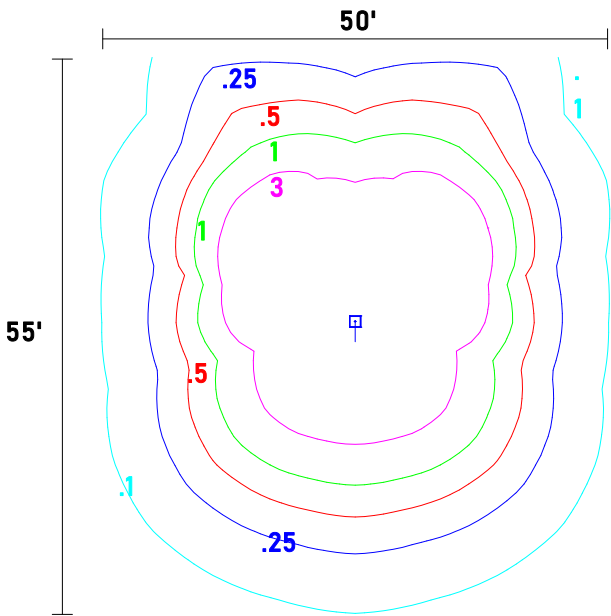
Corporate: 2803 Broadway Ct. Edmond, OK 73013
California: 1341 Distribution Way, Suite 20, Vista, CA 92081

Cuesta Sol is a trademark of GridShift Solutions, LLP

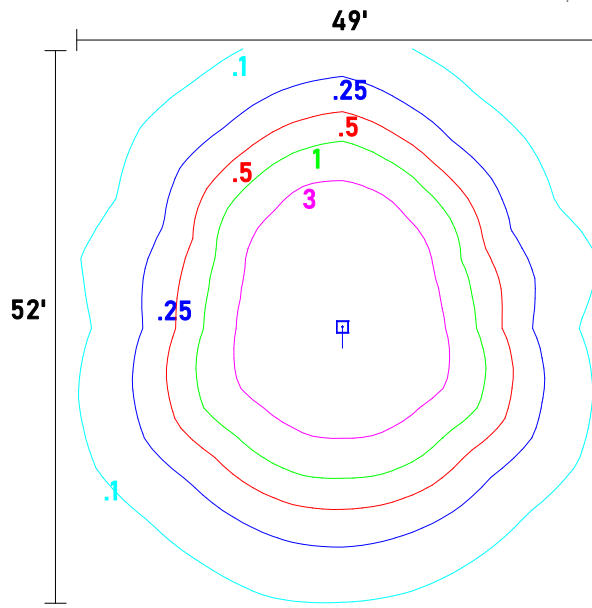
Photometry



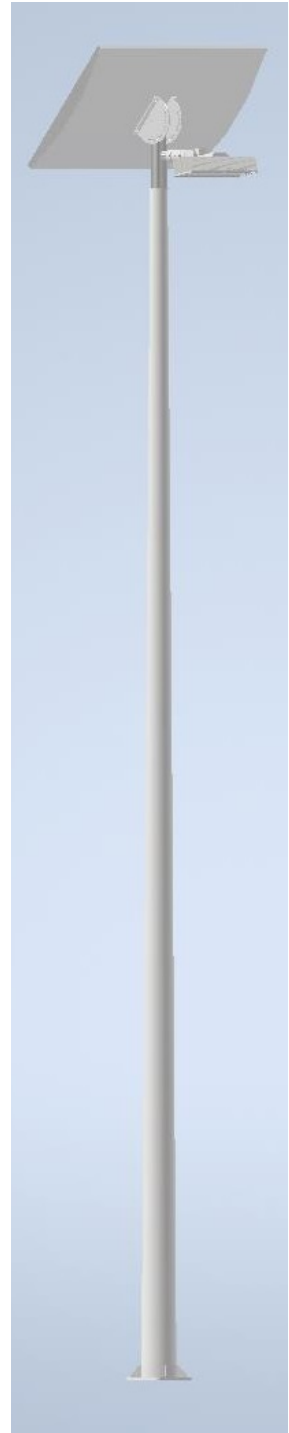
30D



T312



T322



Examples shown above have a 30' Mounting Height




AMERICAN COMBAT VETERAN OWNED COMPANY

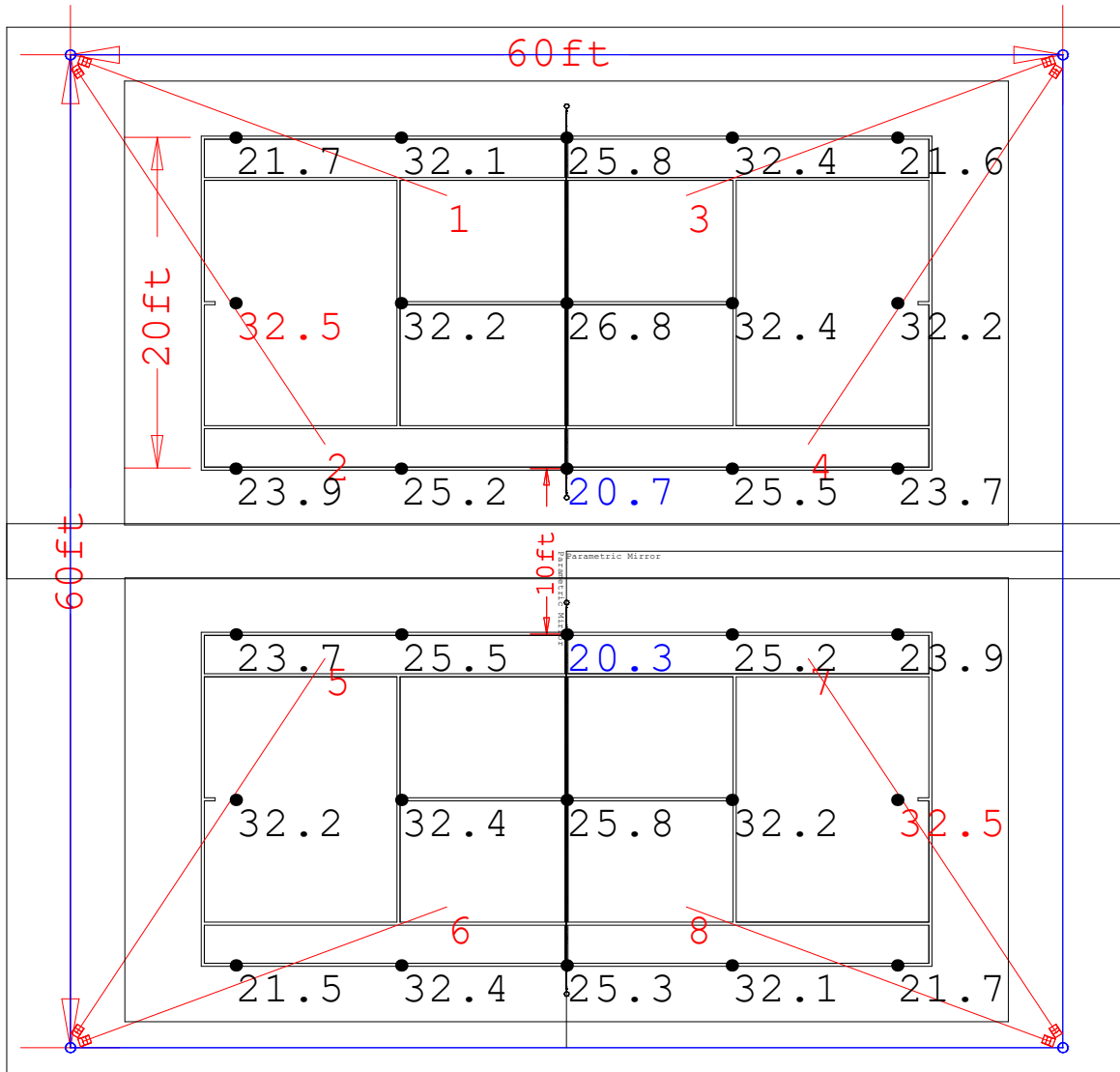


405-673-8684
www.gridshiftsolar.lighting



Luminaire Schedule							
Symbol	Qty	Label	LLF	Lum .Watts	Total Lamp Lumens	Total Watts	Mounting Height
	8	CS-PRE-SL-100W	0.900	99.896	N.A.	799.168	24'

Calculation Summary							
Label	CalcType	Units	Avg	Max	Min	Avg/Min	Max/Min
Court 1	Illuminance	Fc	27.11	32.5	20.3	1.34	1.60
Court 2	Illuminance	Fc	27.25	32.5	20.7	1.32	1.57



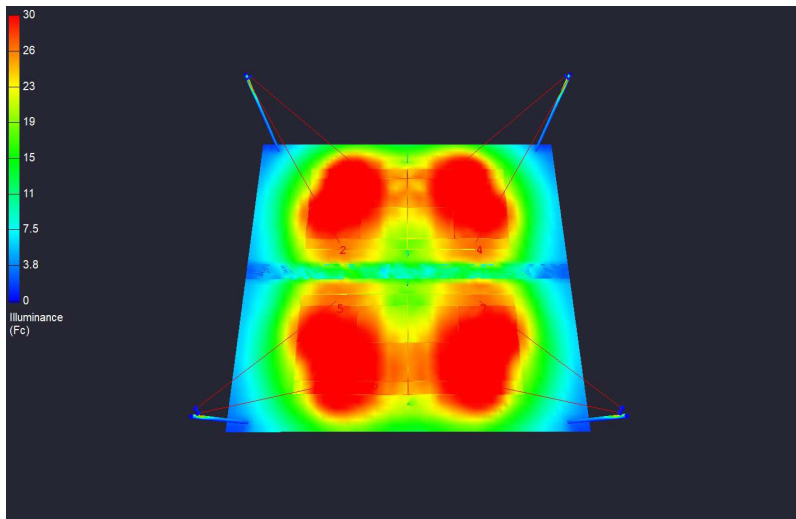
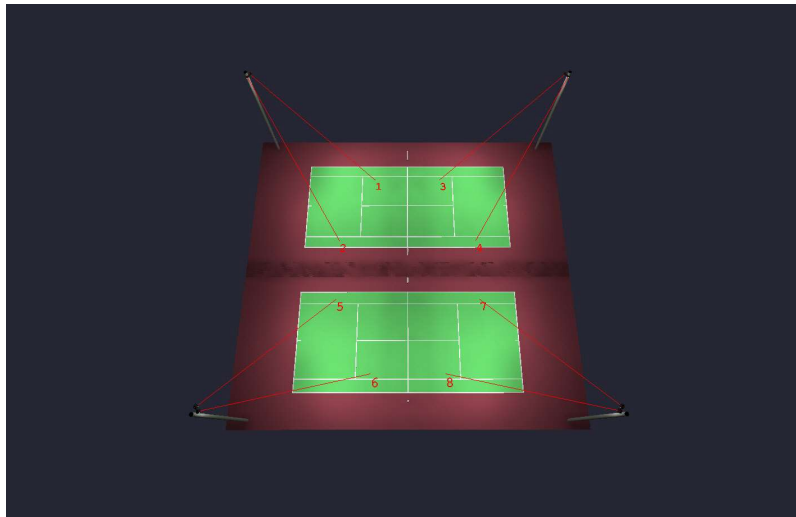
AMERICAN COMBAT VETERAN OWNED COMPANY



405-673-8684
www.gridshiftsolar.lighting



Expanded Luminaire Location Summary									
LumNo	Label	X	Y	Z	Orient	Tilt	X-Aimpt	Y-Aimpt	Z-Aimpt
1	CS-PRE-SL-100W	-29.239	29.635	24	339.708	44.344	-7.238	21.5	0
2	CS-PRE-SL-100W	-29.628	29.096	24	303.575	48.525	-14.613	6.475	0
3	CS-PRE-SL-100W	29.239	29.635	24	200.292	44.344	7.238	21.5	0
4	CS-PRE-SL-100W	29.628	29.096	24	236.425	48.525	14.613	6.475	0
5	CS-PRE-SL-100W	-26.628	-29.096	24	54.425	48.525	-14.613	-6.475	0
6	CS-PRE-SL-100W	-29.239	-29.635	24	20.292	44.344	-7.238	-21.5	0
7	CS-PRE-SL-100W	29.628	-29.096	24	123.575	48.525	14.613	-6.475	0
8	CS-PRE-SL-100W	29.239	-29.635	24	159.708	44.344	7.238	-21.5	0

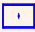


AMERICAN COMBAT VETERAN OWNED COMPANY

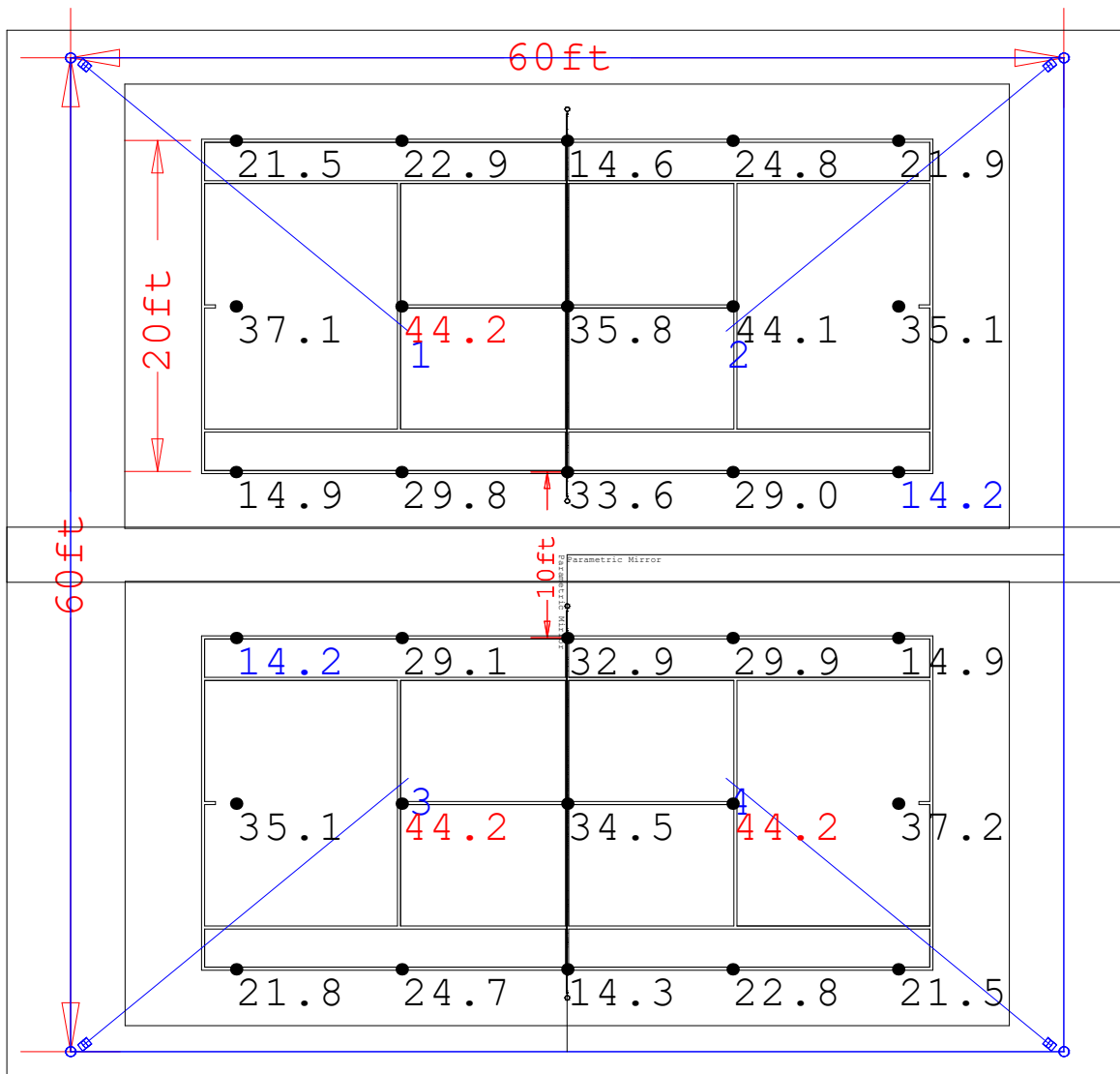


405-673-8684
www.gridshiftsolar.lighting



Luminaire Schedule							
Symbol	Qty	Label	LLF	Lum .Watts	Total Lamp Lumens	Total Watts	Mounting Height
	4	CS-PRE-SL-200W	0.900	199.617	N.A.	798.468	24'

Calculation Summary							
Label	CalcType	Units	Avg	Max	Min	Avg/Min	Max/Min
Court 1	Illuminance	Fc	28.09	44.2	14.2	1.98	3.11
Court 2	Illuminance	Fc	28.23	44.2	14.2	1.98	3.11



AMERICAN COMBAT VETERAN OWNED COMPANY



405-673-8684
www.gridshiftsolar.lighting

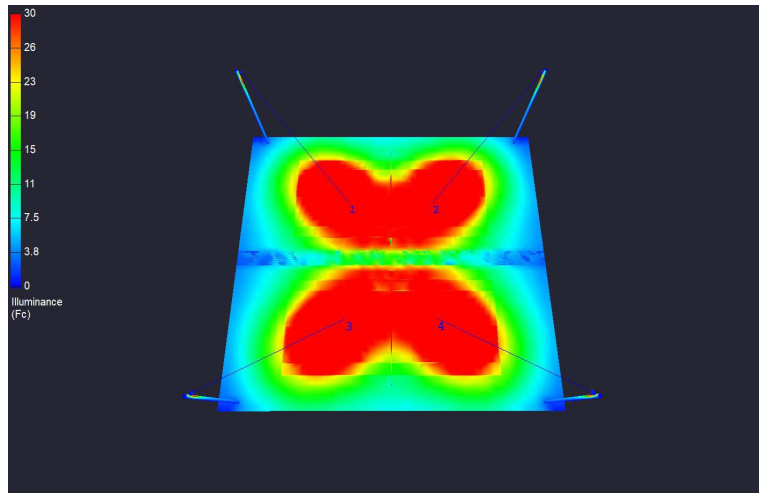
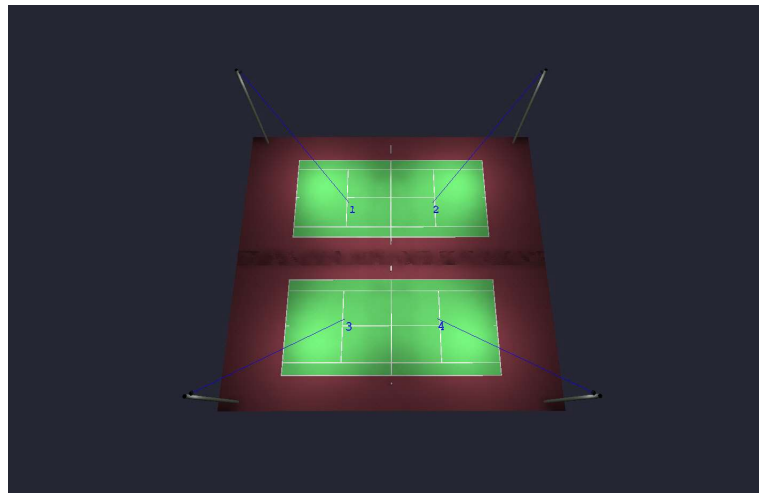


Calculation Summary

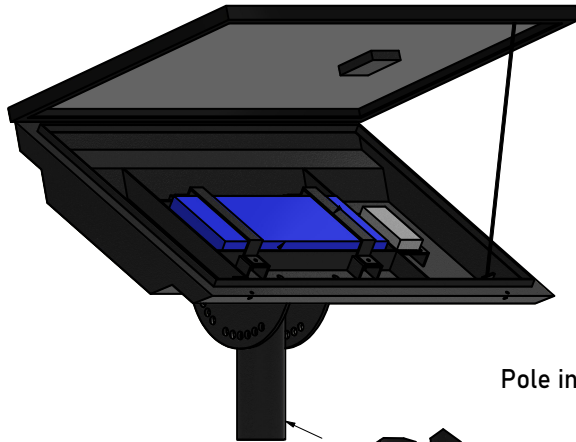
Label	CalcType	Units	Avg	Max	Min	Avg/Min	Max/Min
Court 1	Illuminance	Fc	28.09	44.2	14.2	1.98	3.11
Court 2	Illuminance	Fc	28.23	44.2	14.2	1.98	3.11

Expanded Luminaire Location Summary

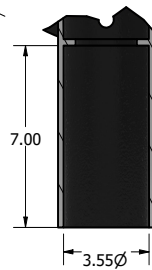
LumNo	Label	X	Y	Z	Orient	Tilt	X-Aimpt	Y-Aimpt	Z-Aimpt
1	CS-PRE-SL-200W	-29.239	29.635	24	320.594	46.643	-9.6	13.5	0
2	CS-PRE-SL-200W	-29.628	29.096	24	219.406	46.643	9.6	13.5	0
3	CS-PRE-SL-200W	29.239	29.635	24	39.406	46.643	-9.6	-13.5	0
4	CS-PRE-SL-200W	29.628	29.096	24	140.594	46.643	9.6	-13.5	0


AMERICAN COMBAT VETERAN OWNED COMPANY

 405-673-8684
www.gridshiftsolar.lighting

Pole installations require a 3.5" X 6" top tenon



	40W Solar Panel	60W Solar Panel	100W Solar Panel
Wattage	40W	60W	100W
Max Total Output	100W	150W	200W
Lumen Output	7600lm	11400lm	19000lm
Efficacy	190lm/w	190lm/w	190lm/w
Weight	76lbs	101.5lbs	119lbs
EPA	5.5	9	12.5
Input Voltage	12-24V DC		
Photovoltaic Panel	Double Crystal Photovoltaic Panel		
Solar Panel	18V/130W	36V/200W	36V/280W
Lithium-Ion Battery	1382.4WH 12.8V 102AH	2150.4WH 25.6V 84AH	2611.2WH 25.6V 102AH
Discharge Time (Full Charge)	30 Hours		
Working Temperature	14°F to 122°F		
Charging Temperature	32°F to 113°F		
Control System	MPPT Intelligent Controller		
Autonomy	30%-100% 102hrs (Max) 20%-80% 155hrs (Max)		
Constant Mode (Full Charge)	100% 30hrs 40% 78hrs		



AMERICAN COMBAT VETERAN OWNED COMPANY

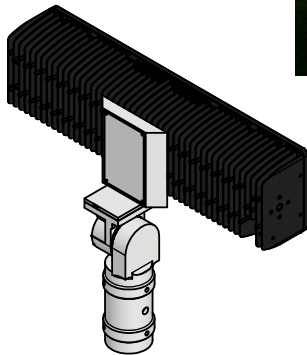
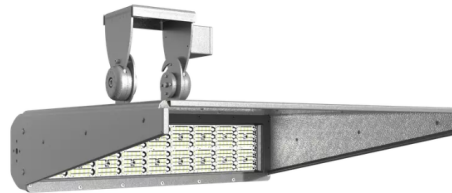
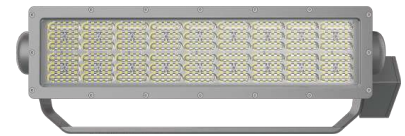


405-673-8684
www.gridshiftsolar.lighting

Corporate: 2803 Broadway Ct. Edmond, OK 73013
California: 1341 Distribution Way, Suite 20, Vista, CA 92081

Cuesta Sol is a trademark of GridShift Solutions, LLP




Tenon Mount

Surface Mount With Visor

Yoke Mount

Custom mounting options also available

Model #	Watts	Single - S Double - D	CCT	Optics	Mounting	Option - Visor (Yes/No)	Optional 5G Remote Access (Yes/No)
Cuesta Sol CS-PRE-SL	50W	S	3000K/4000K/5000K/5700K	30D/T312/T322	A - Tenon Mount B - Surface Mount C - Yoke Mount D - Custom	Y/N	Y/N
Cuesta Sol CS-PRE-SL	75W	S	3000K/4000K/5000K/5700K	30D/T312/T322	A - Tenon Mount B - Surface Mount C - Yoke Mount D - Custom	Y/N	Y/N
Cuesta Sol CS-PRE-SL	100W	S/D	3000K/4000K/5000K/5700K	30D/T312/T322	A - Tenon Mount B - Surface Mount C - Yoke Mount D - Custom	Y/N	Y/N
Cuesta Sol CS-PRE-SL	150W	S/D	3000K/4000K/5000K/5700K	30D/T312/T322	A - Tenon Mount B - Surface Mount C - Yoke Mount D - Custom	Y/N	Y/N
Cuesta Sol CS-PRE-SL	200W	S/D	3000K/4000K/5000K/5700K	30D/T312/T322	A - Tenon Mount B - Surface Mount C - Yoke Mount D - Custom	Y/N	Y/N

Ordering Description Example

Cuesta Sol CS-PRE-SL	150W	S	4000K	30D	B	Y	Y
----------------------	------	---	-------	-----	---	---	---

Ordering Description

Cuesta Sol CS-PRE-SL	50W						
Cuesta Sol CS-PRE-SL	75W						
Cuesta Sol CS-PRE-SL	100W						
Cuesta Sol CS-PRE-SL	150W						
Cuesta Sol CS-PRE-SL	200W						

* Please Note: Wattage is split when double is selected, i.e., 200W double is 2 100W fixtures.


AMERICAN COMBAT VETERAN OWNED COMPANY


405-673-8684

www.gridshiftsolar.lighting
