

Features & Benefits

- All in One Design
 - Solar panel, battery & controller in one attractive Luminaire
 - Low EPA
 - Lower Installation Cost
 - Easy to Convert to Solar
- Superior Technology Solutions
 - Brightest Output
 - CERTIFIED Burn Time Performance
 - Longest life
 - Smart Controller
 - 180LM/W



Exclusive Free
Battery Recycling
Program




10 Year Available
15 Year Available

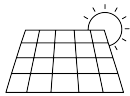


Certifications

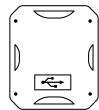


LISTED
Components

Model #	Solar Panel Wattage	Battery	Charge Time (In Hours)		BUG Rating
CS-COA-2020-32-5W	40W	36AH 12.8V	9	51 hrs	B1-U0-G1
CS-COA-2020-32-10W	40W	36AH 12.8V	9	40 hrs	B1-U0-G1
CS-COA-2020-32-15W	40W	36AH 12.8V	9	26 hrs	B1-U0-G1
CS-COA-2020-32-20W	40W	36AH 12.8V	9	20 hrs	B1-U0-G1



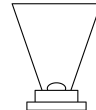
Monocrystalline
Solar Module



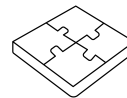
Efficient
Controller



LiFePO4
Lithium-Iron
Battery



Philips Lumileds
Luxeon 5050
Chip



All-in-One



IP65



AMERICAN COMBAT VETERAN OWNED COMPANY

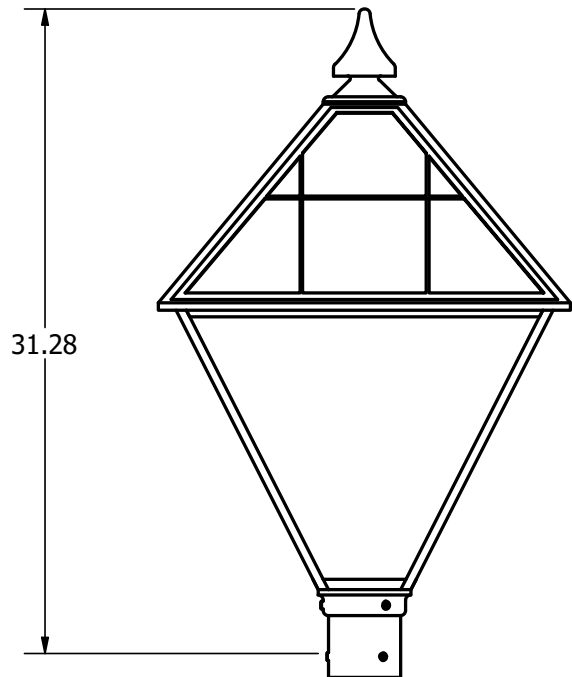
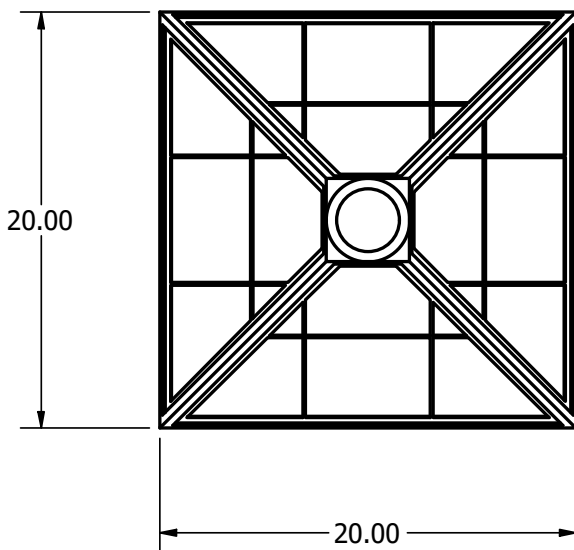
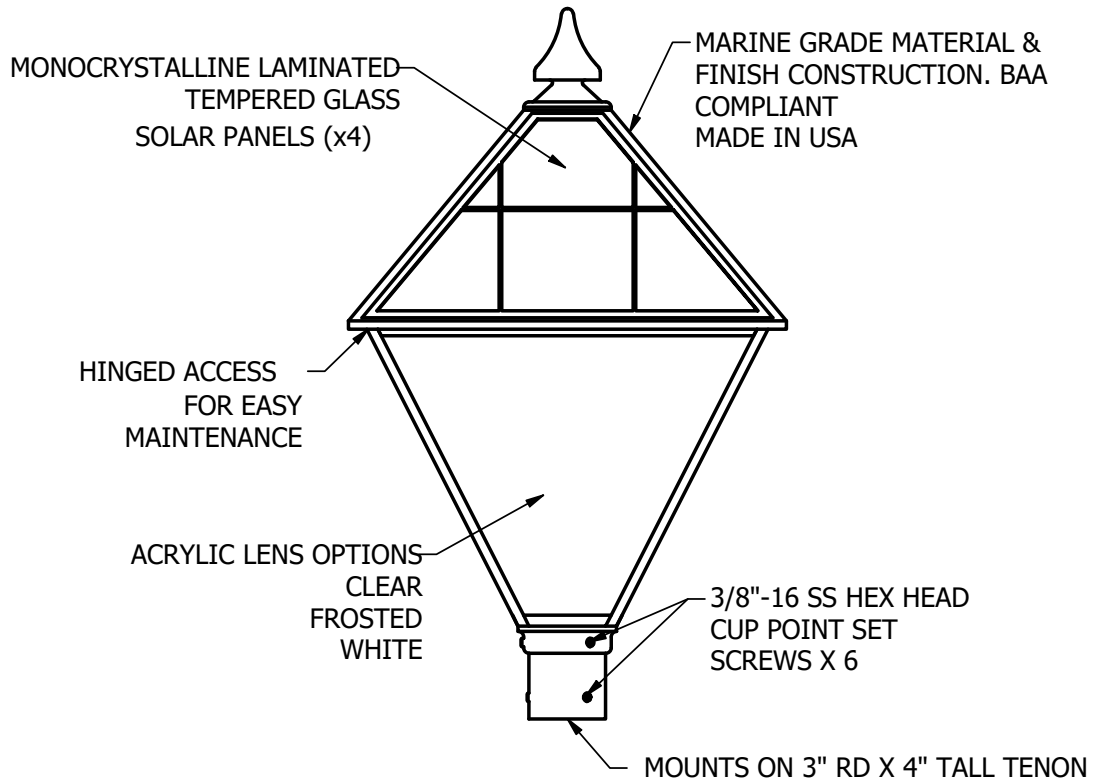


405-673-8684
www.gridshiftsolar.lighting

Corporate: 2803 Broadway Ct. Edmond, OK 73013
California: 1341 Distribution Way, Suite 20, Vista, CA 92081

Cuesta Sol is a trademark of GridShift Solutions, LLP





AMERICAN COMBAT VETERAN OWNED COMPANY



405-673-8684
www.gridshiftsolar.lighting

Corporate: 2803 Broadway Ct. Edmond, OK 73013
California: 1341 Distribution Way, Suite 20, Vista, CA 92081

Cuesta Sol is a trademark of GridShift Solutions, LLP





Model #	Watts	Lumens	Color Temp in 100K	Fixture Profile Codes	Color (BLK-Black/BRZ-Bronze/GRY-Grey/CUST-Custom)
Cuesta Sol CS-COA-2020-32	5	900	30K / 40K / 50K / 57K / 65K	(See Profile Codes)	BLK / BRZ / GRY / CUS
Cuesta Sol CS-COA-2020-32	10	1800	30K / 40K / 50K / 57K / 65K	(See Profile Codes)	BLK / BRZ / GRY / CUS
Cuesta Sol CS-COA-2020-32	15	2700	30K / 40K / 50K / 57K / 65K	(See Profile Codes)	BLK / BRZ / GRY / CUS
Cuesta Sol CS-COA-2020-32	20	3600	30K / 40K / 50K / 57K / 65K	(See Profile Codes)	BLK / BRZ / GRY / CUS

Ordering Description Example					
Cuesta Sol CS-COA-2020-32	5	900	30K	A	BLK

Ordering Description					
Cuesta Sol CS-COA-2020-32	5	900			
Cuesta Sol CS-COA-2020-32	10	1800			
Cuesta Sol CS-COA-2020-32	15	2700			
Cuesta Sol CS-COA-2020-32	20	3600			


AMERICAN COMBAT VETERAN OWNED COMPANY

 405-673-8684
www.gridshiftsolar.lighting

 Corporate: 2803 Broadway Ct. Edmond, OK 73013
 California: 1341 Distribution Way, Suite 20, Vista, CA 92081

Cuesta Sol is a trademark of GridShift Solutions, LLP

